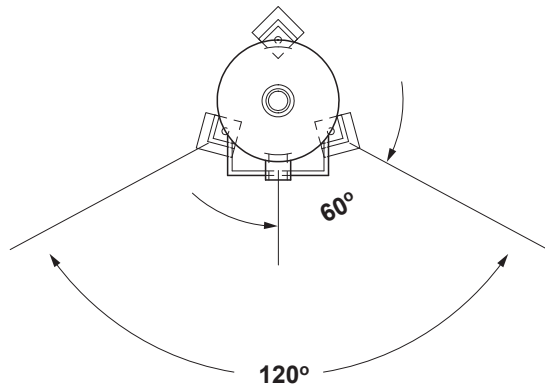


J.L. WINGERT CO.

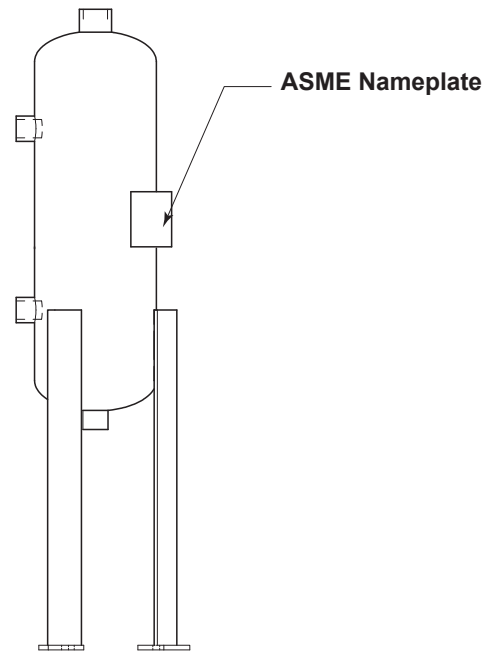
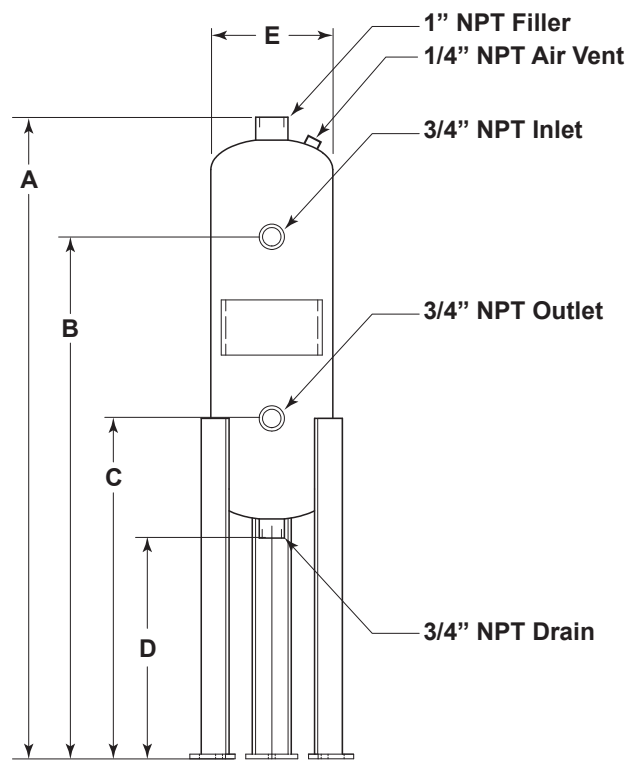
Specification Sheet ASME BYPASS FEEDERS MODEL HP-[]-ASME-C

SS030300.A 07/15



SPECIFICATIONS

KEY	DESCRIPTION
MAWP	600 PSI @ 650° F
MDMT	-20° F @ 600 PSI
HEAD THK	.375 Material: SA-234-WPB
SHELL THK	.375 Material: SA-53-B



DIMENSIONS

KEY	HP-2-ASME-C	HP-5-ASME-C	HP-10-ASME-C	HP-12-ASME-C	HP-18-ASME-C
A	34 7/8"	34 1/8"	40 1/2"	46"	52 1/4"
B	28 3/8"	26"	32 7/8"	38 7/16"	41 5/8"
C	18 1/2"	19 9/16"	19 5/16"	19 5/16"	20 5/8"
D	12"	11 3/4"	11 3/4"	11 3/4"	10"
E	6 5/8"	10 3/4"	10 3/4"	10 3/4"	14"

Note: All dimensions are +/- 1/8". All dimensions are subject to change without notice.

MANUFACTURING: Mixers, Bypass Feeders, Filter Feeders, Bromine Feeders, Sample Coolers, Sludge Traps, Separators, Separator Systems, Tank Stands, Tank Package Systems, Glycol Feed Systems, Coupon Racks, Control Stations, NEMA Enclosures, Custom Packaged Systems and Specialty Welding

P.O. Box 6207 | Garden Grove, CA 92846-6207 | 11800 Monarch St. | Garden Grove, CA 92841-2113 | Phone (714) 379-5519 | Fax (714) 379-5549
Northern California Region | Phone (510) 487-5310 | Southwest Region | Phone (602) 470-1015 | Email: customerservice@jllwingert.com

www.jllwingert.com